

# BSA SERVICE SHEET No. 402

Reprinted, October, 1958.

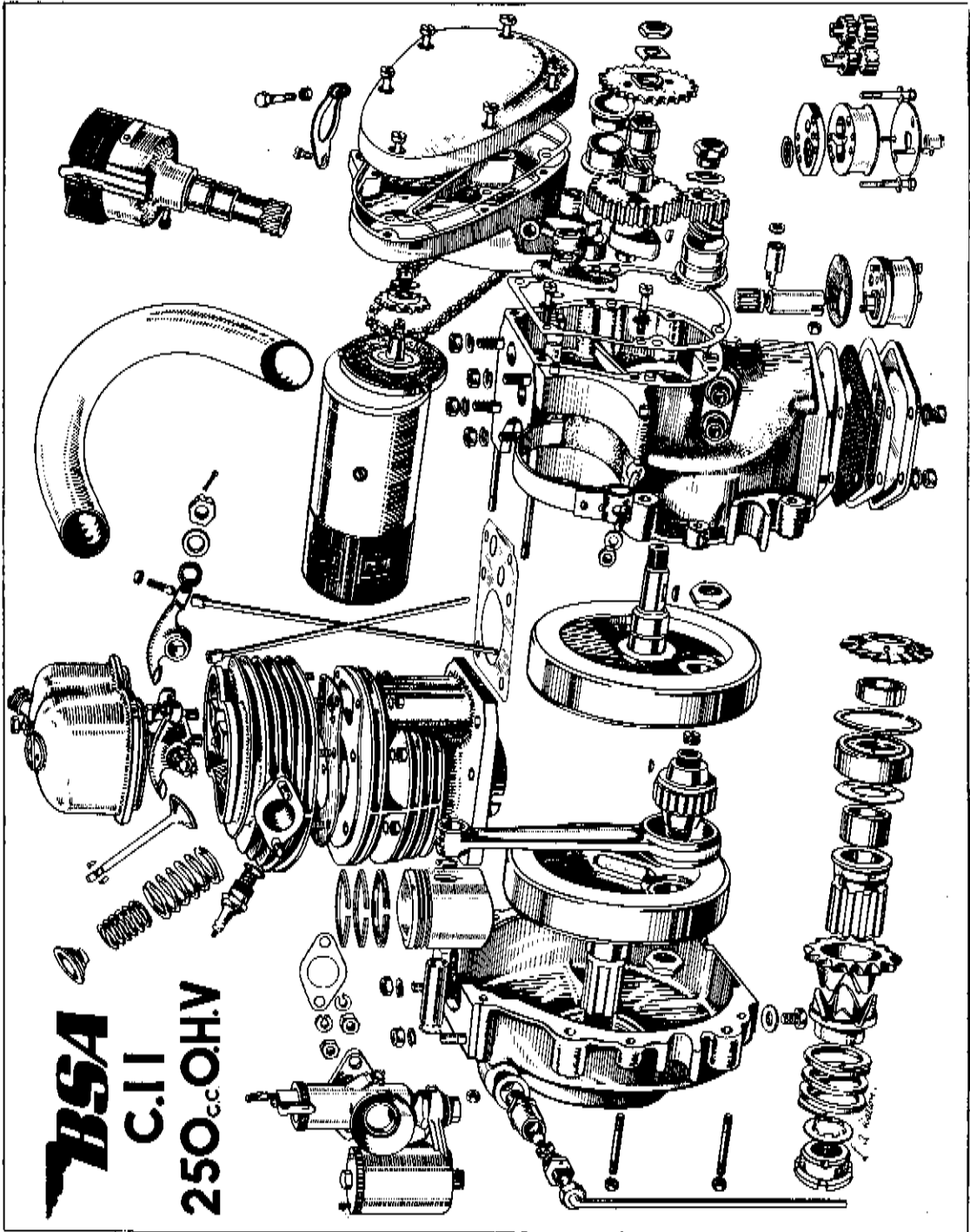
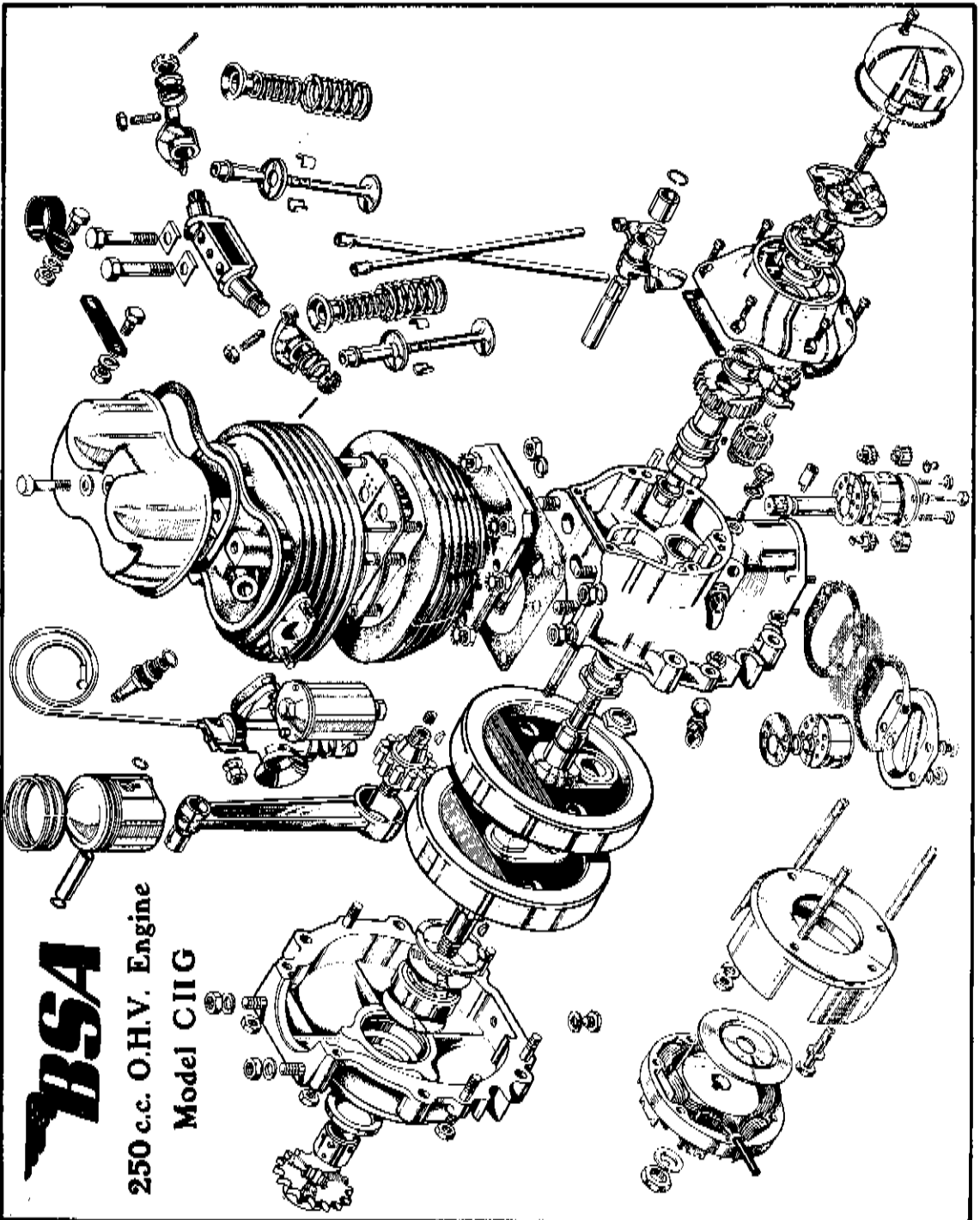


Fig. C2. The C11 Engine (Exploded View)

# BSA SERVICE SHEET No. 402A



**BSA**

250 c.c. O.H.V. Engine

Model C11G