

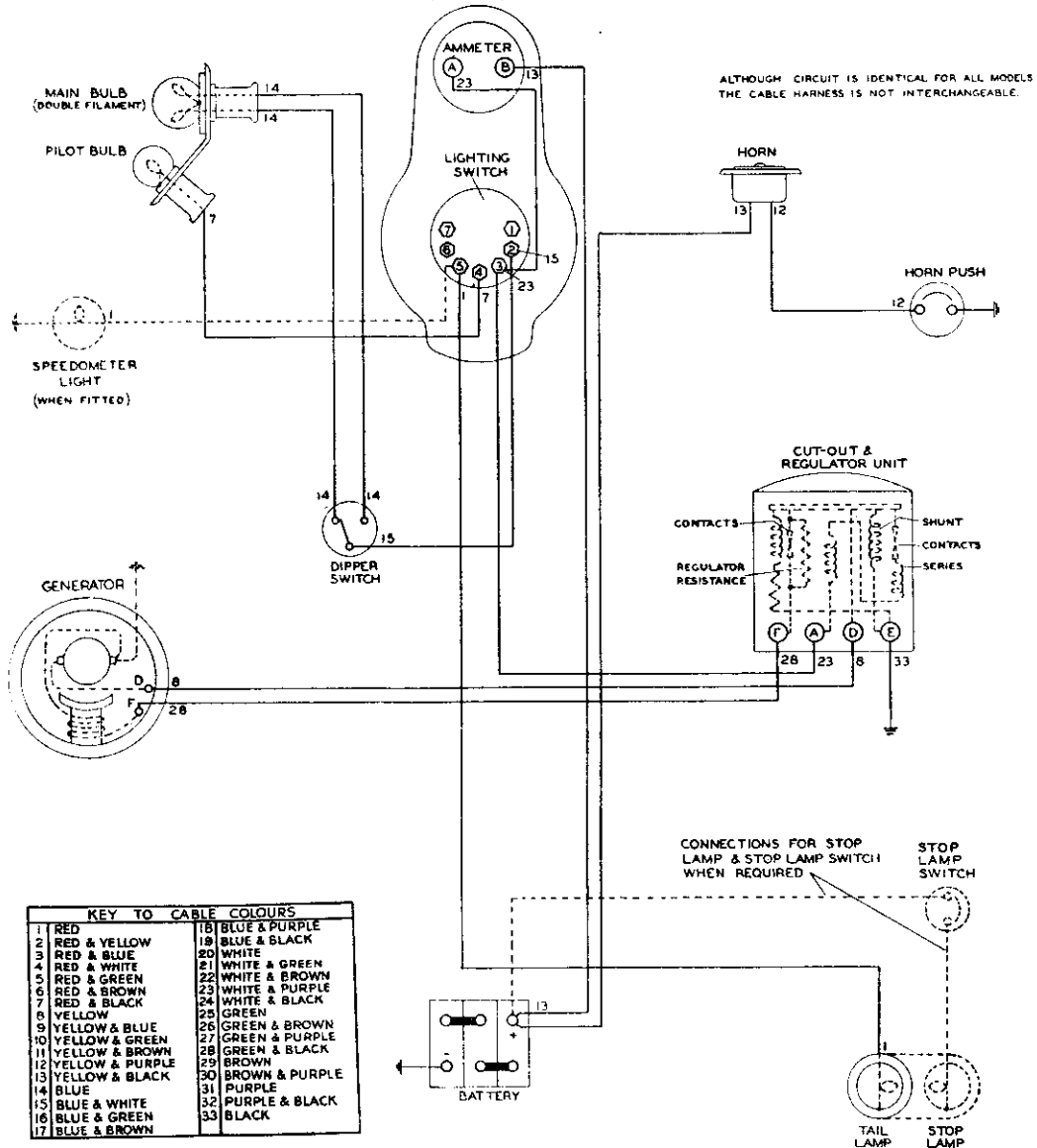
BSA SERVICE SHEET No. 808

Oct., 1948

Reprinted March, 1960

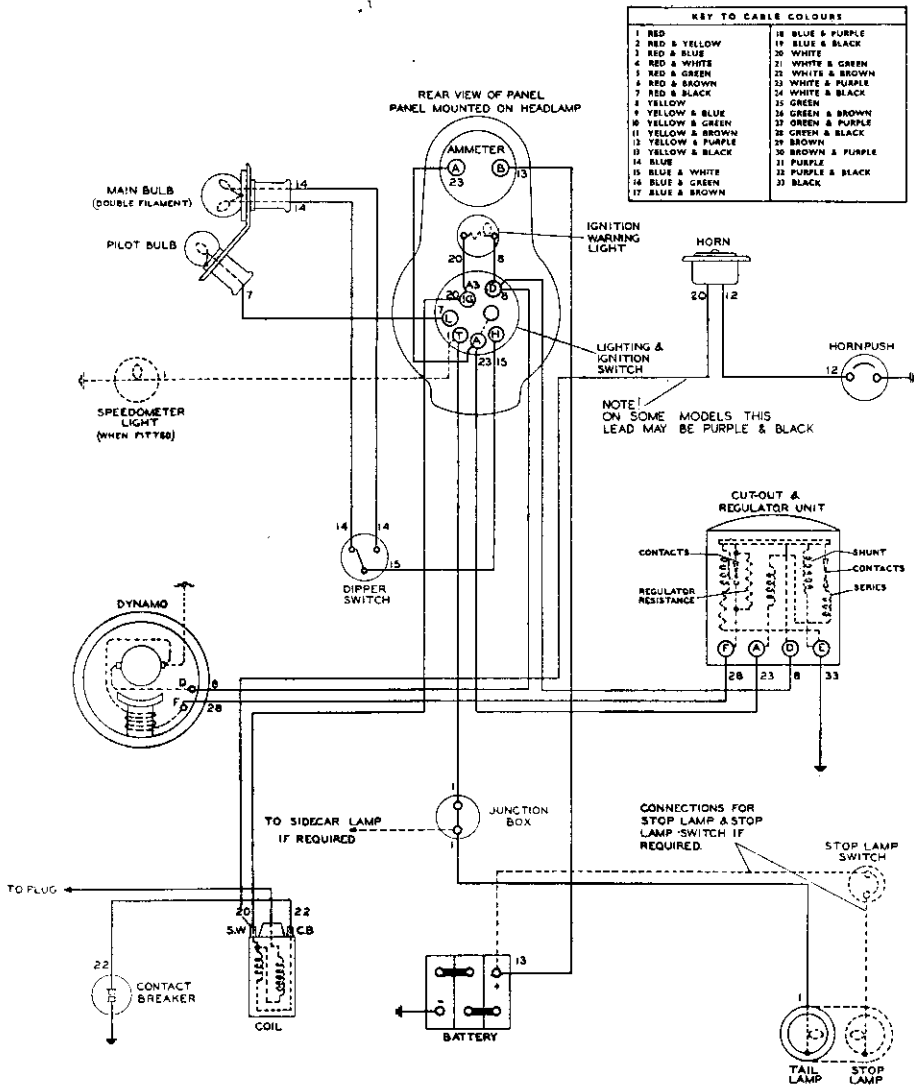
A, B and M Group Models WIRING DIAGRAMS (NEGATIVE EARTH)

REAR VIEW OF PANEL.
PANEL MOUNTED ON HEADLAMP



Numbers indicate cable identification colours. See key.

C10 and C11 Models WIRING DIAGRAM (NEGATIVE EARTH)

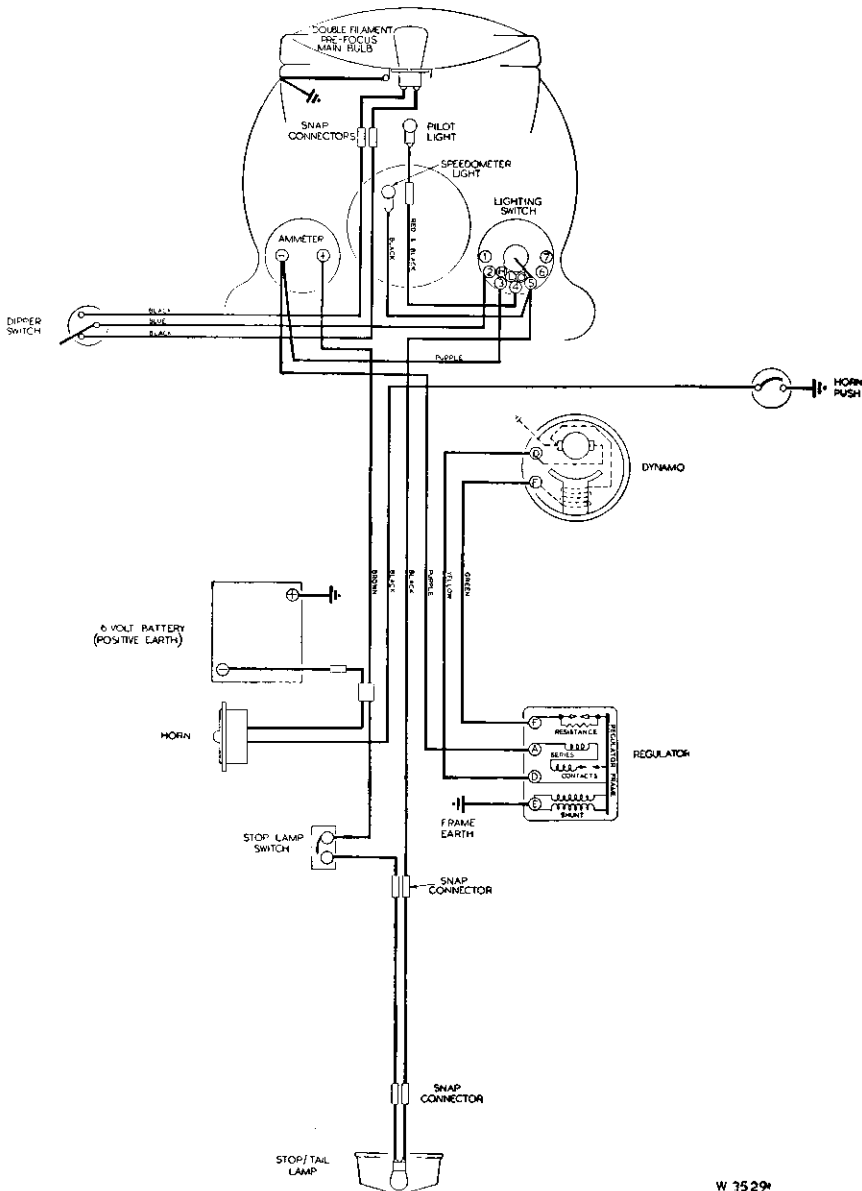


Numbers indicate cable identification colours. See key.

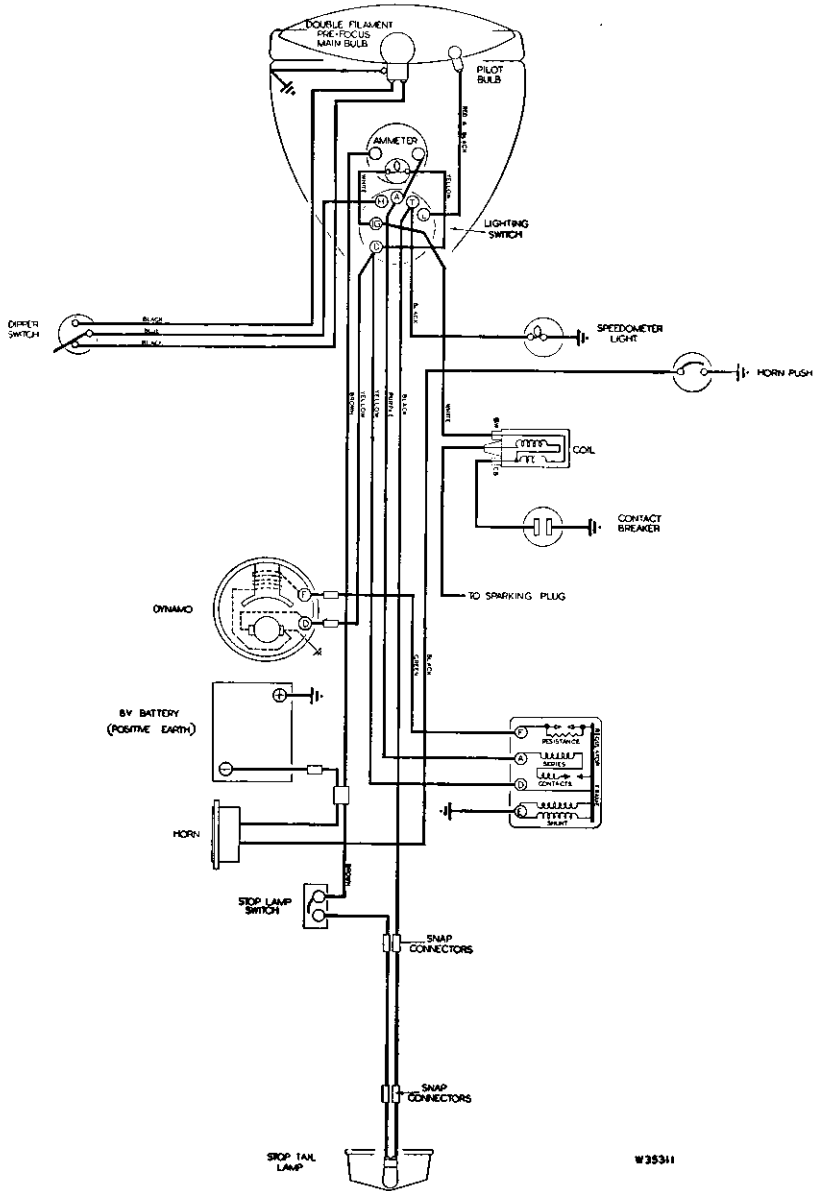
BSA SERVICE SHEET No. 808A

Reprinted January, 1960

A, B and M Group Models WIRING DIAGRAM (Positive Earth System)



C Group Models WIRING DIAGRAM (Positive Earth System)

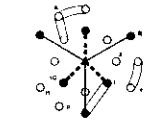


W35311

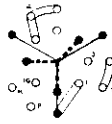
BSA SERVICE SHEET No. 808B

Reprinted March 1960

D Group Models WIRING DIAGRAMS Lucas D.C. Lighting



LIGHTING OFF
(TURN LT SW TO L)
EMERGENCY IGNITION ON
(TURN IGNITION KEY LEFT)



LIGHTING OFF
(TURN LT SW LEFT TO O)
IGNITION OFF
(TURN IGNITION KEY CENTRAL)

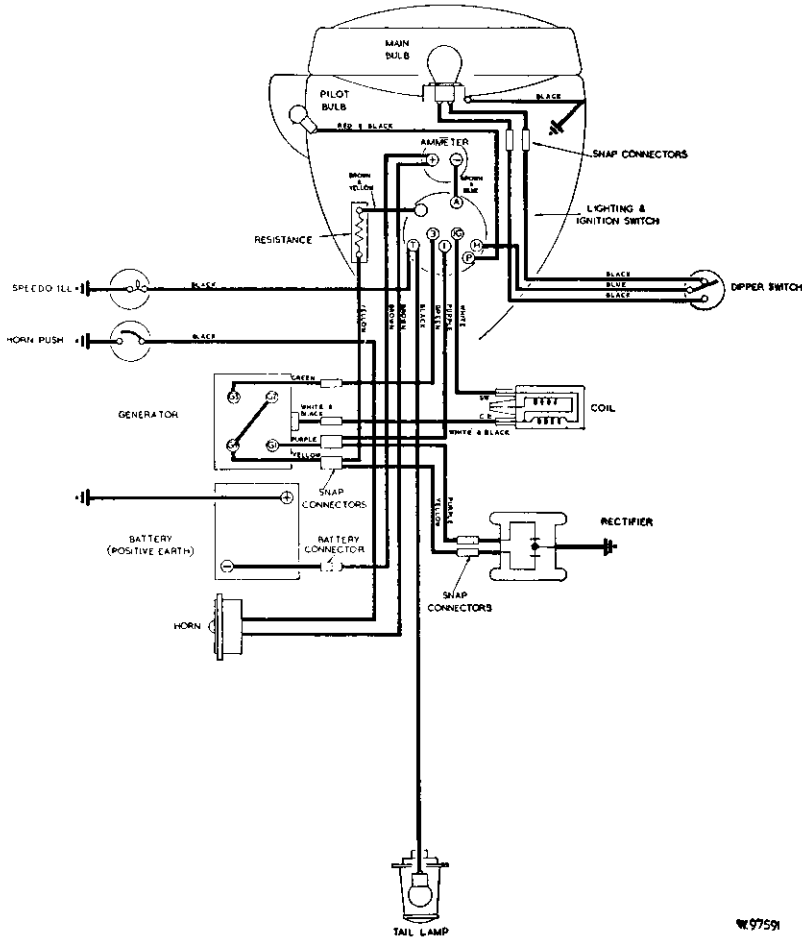


TAIL & PILOT LTS ON
(TURN LT SW RIGHT TO P)
IGNITION ON
(TURN IGNITION KEY RIGHT)



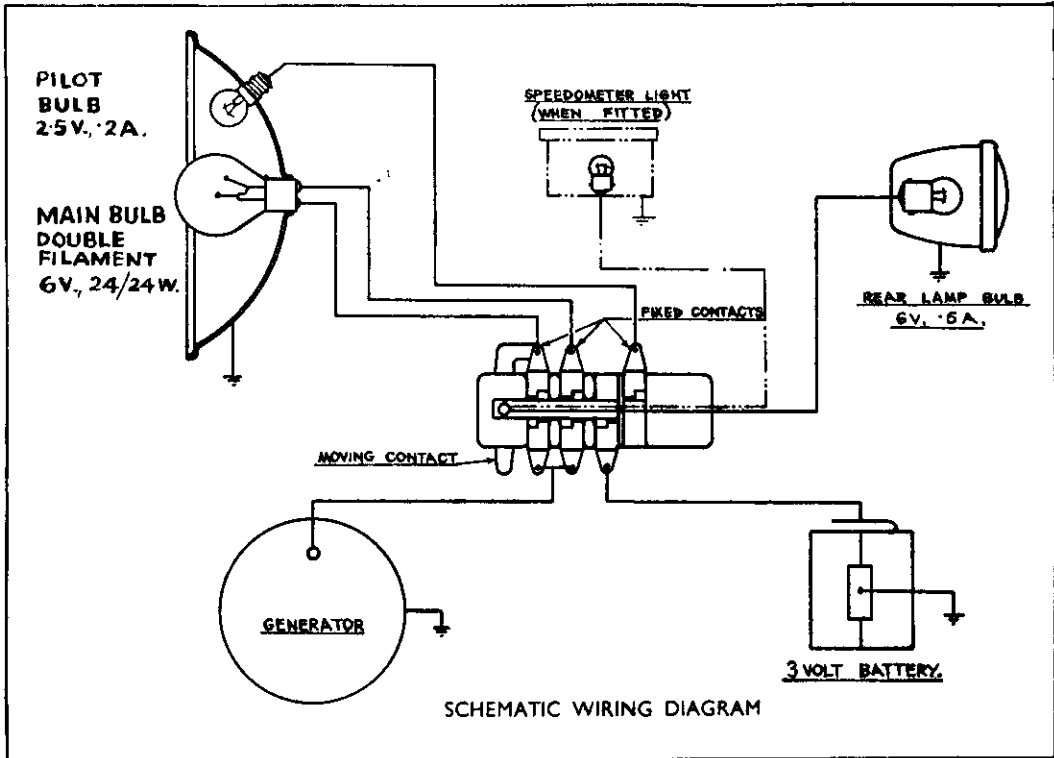
TAIL & HEAD LTS ON
(TURN LT SW RIGHT TO H)

DIAGRAMS SHOWING SWITCH POSITIONS LOOKING ON TOP OF SWITCH

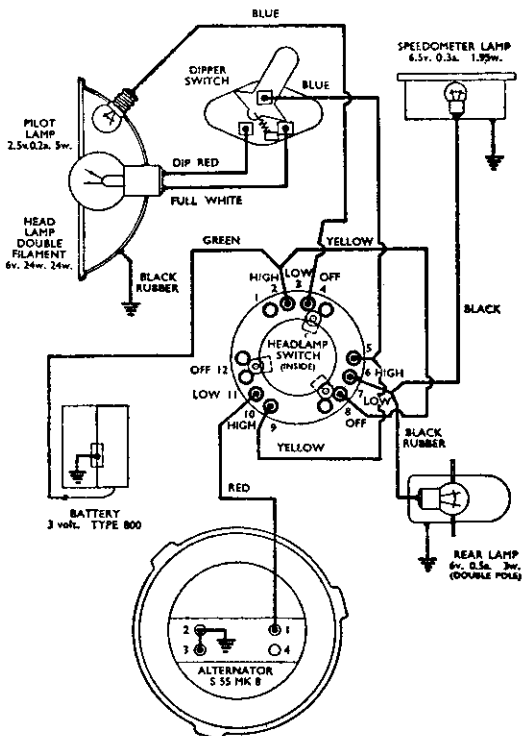


9759

Wipac A.C. Lighting



ABOVE: Wiring diagram for Wipac A.C. lighting when fitted with remotely controlled switch operated by handlebar lever.



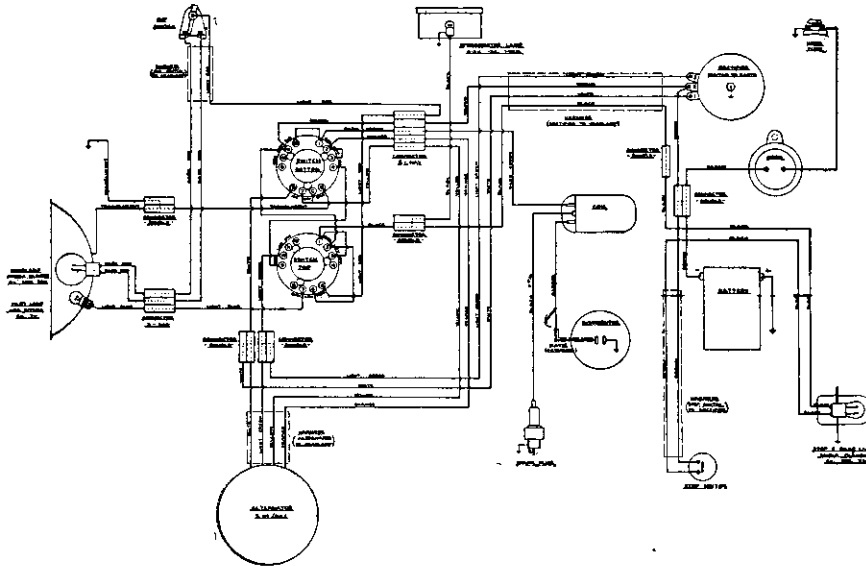
LEFT: Wiring diagram for Wipac A.C. lighting when switch is mounted on top of the headlamp shell.

BSA SERVICE SHEET No. 808C

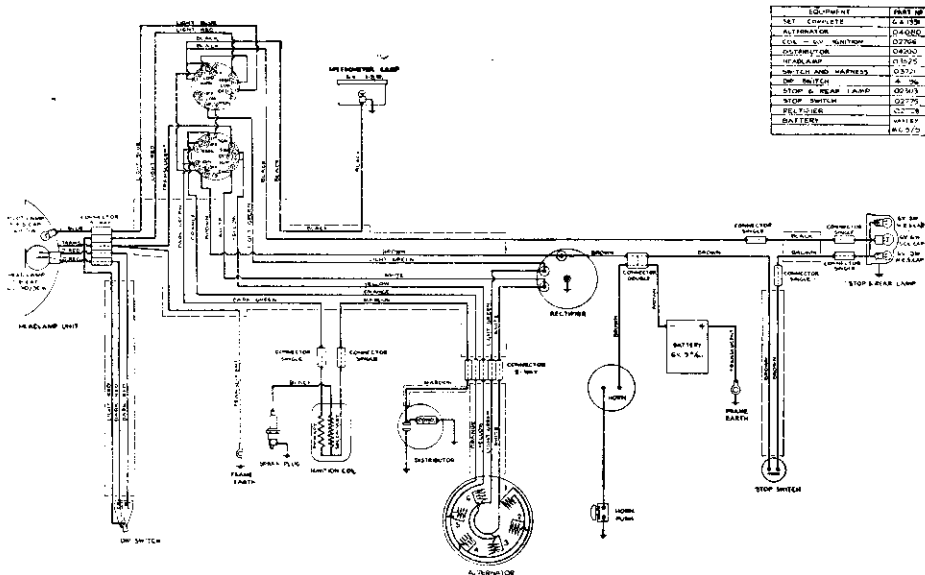
WIRING DIAGRAMS

Reprinted January, 1958

Model C10L (Wipac Lighting)

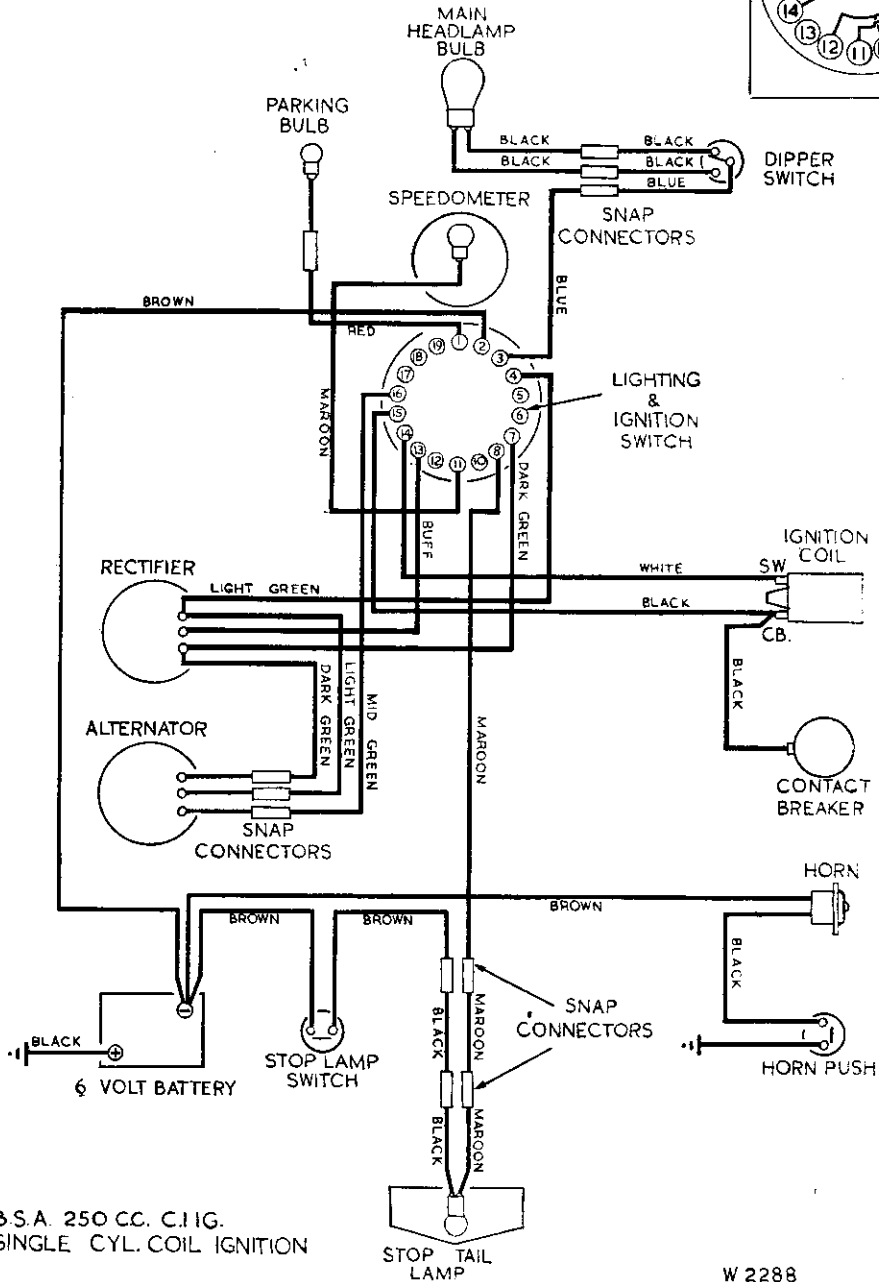
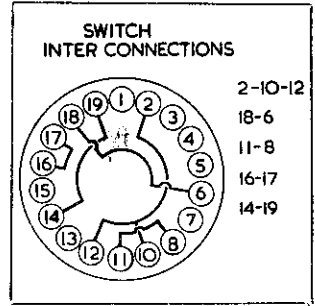


1954 Models



1955 Models

Model C11G
(Lucas Lighting)



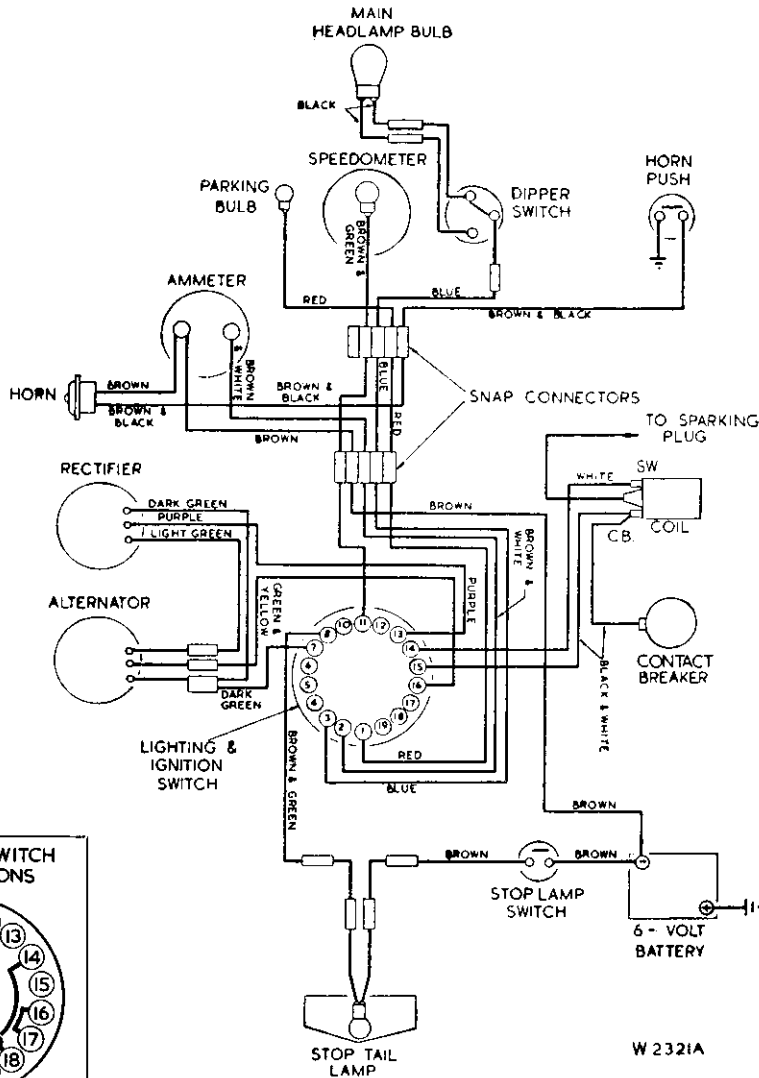
B.S.A. 250 CC. C.11G.
SINGLE CYL. COIL IGNITION

W 2288

B.S.A. MOTOR CYCLES LTD.
Service Dept., Birmingham 11
Printed in England.

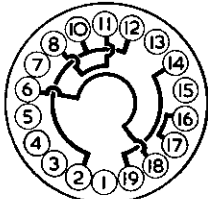
1956 C Group Models WIRING DIAGRAMS

C12



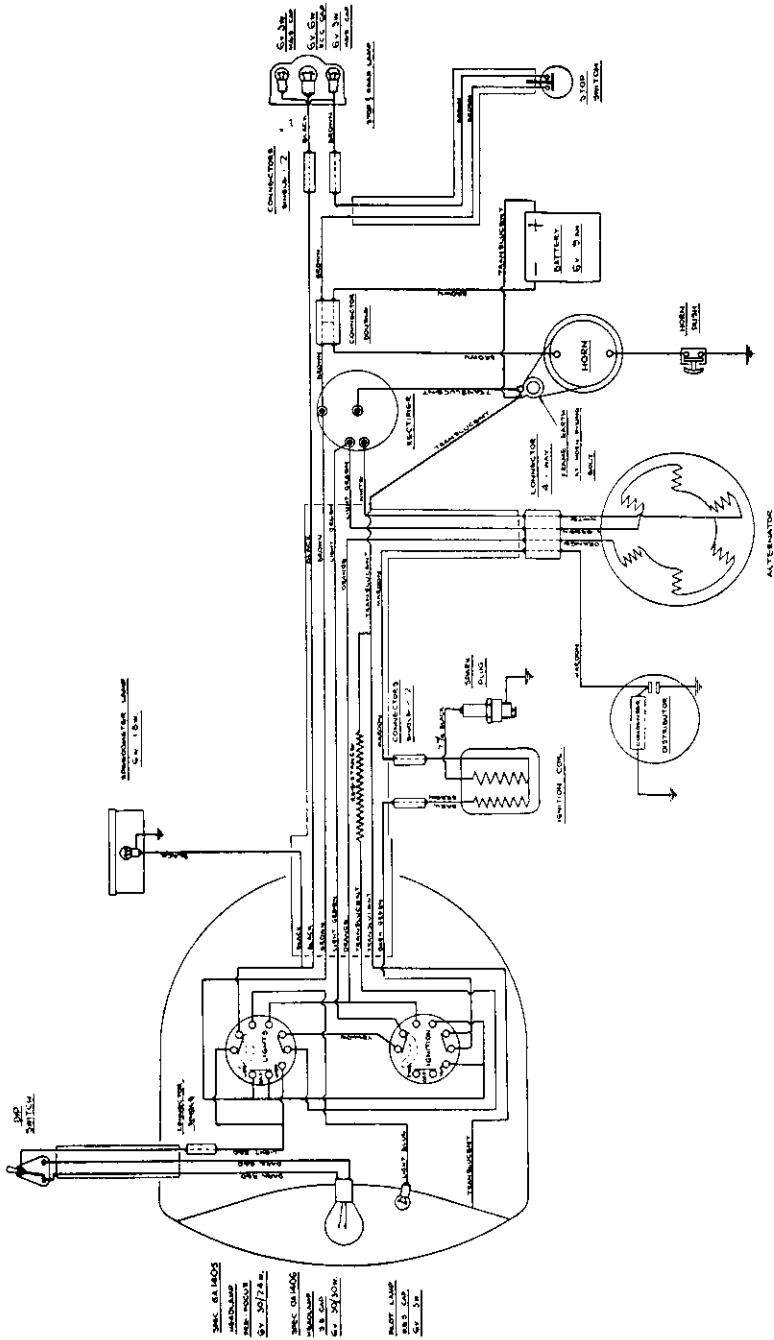
INTERNAL SWITCH CONNECTIONS

- 2-10-12
- 8-11
- 14-19
- 6-18
- 5-4
- 3-2
- 1-19



W 2321A

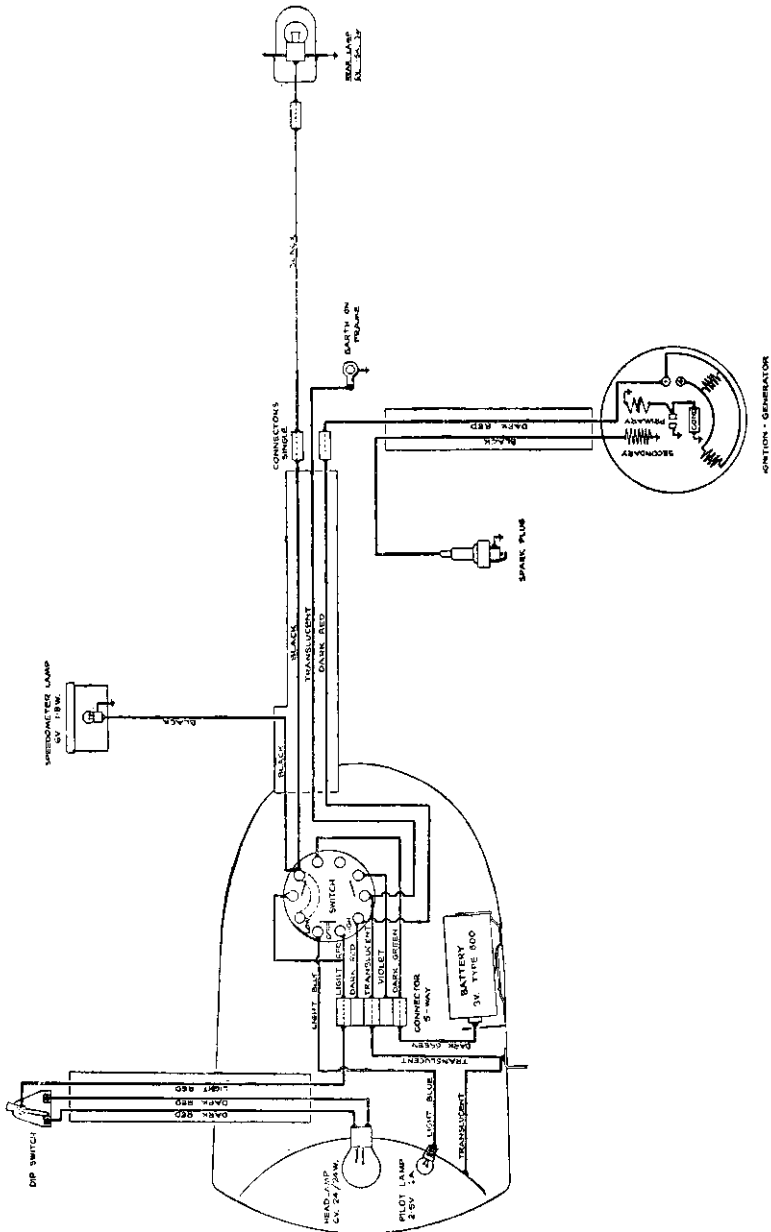
C10L (1956)



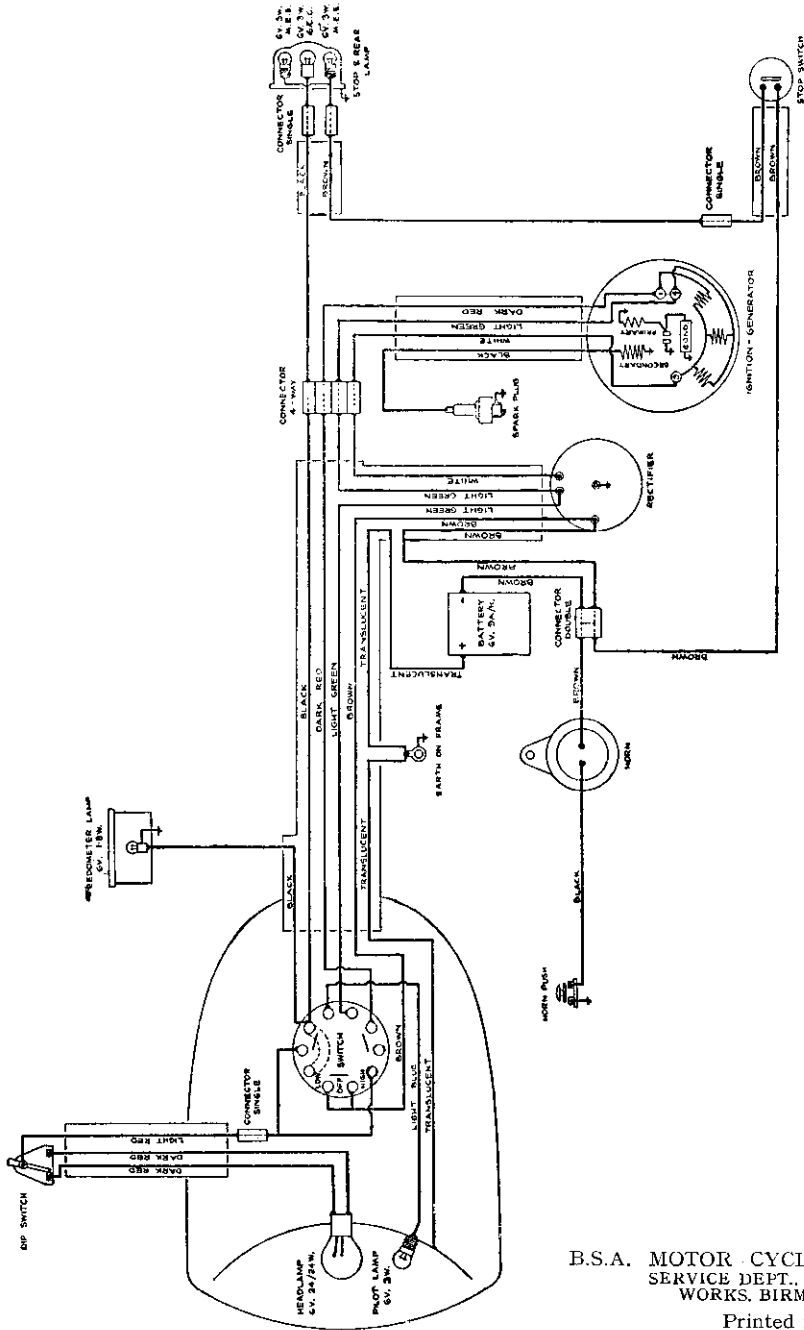
BSA SERVICE SHEET No. 808E

Reprinted November, 1959

1956 D Group Models WIRING DIAGRAMS Wipac A.C. Lighting



Wipac D.C. Lighting (Positive Earth System)



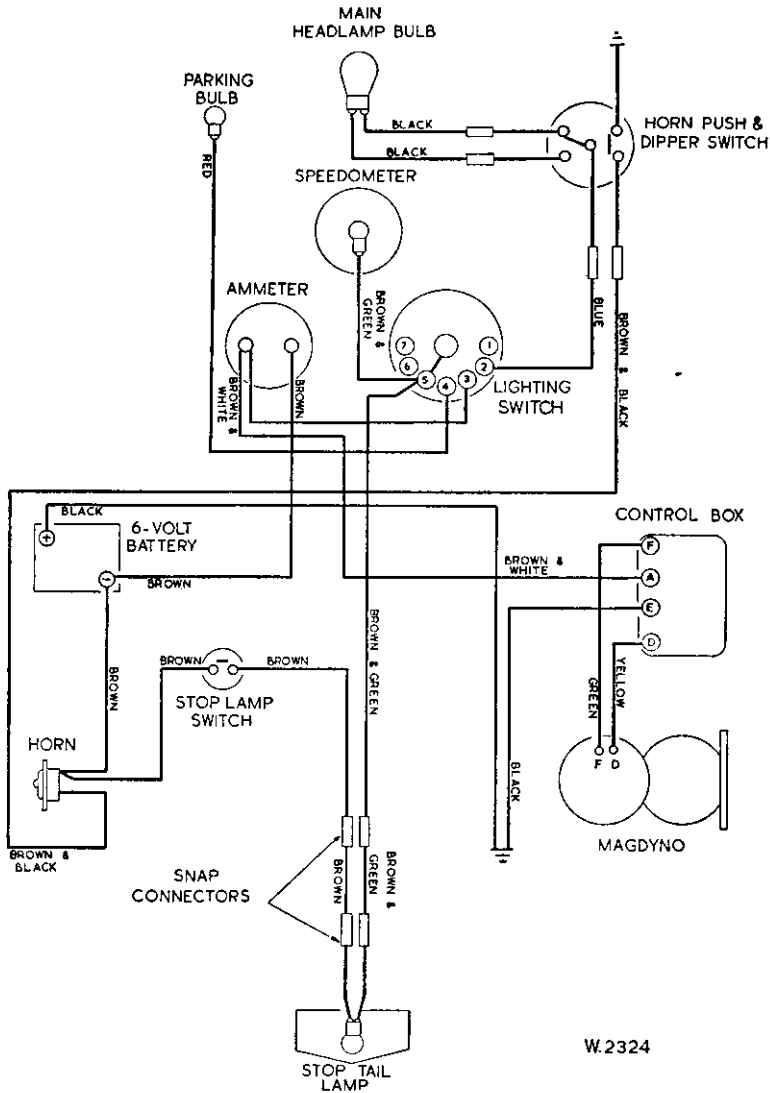
B.S.A. MOTOR CYCLES LTD.,
SERVICE DEPT., WAVERLEY
WORKS, BIRMINGHAM, 10
Printed in England.

BSA SERVICE SHEET No. 808F

Reprinted September 1958

M Group Models

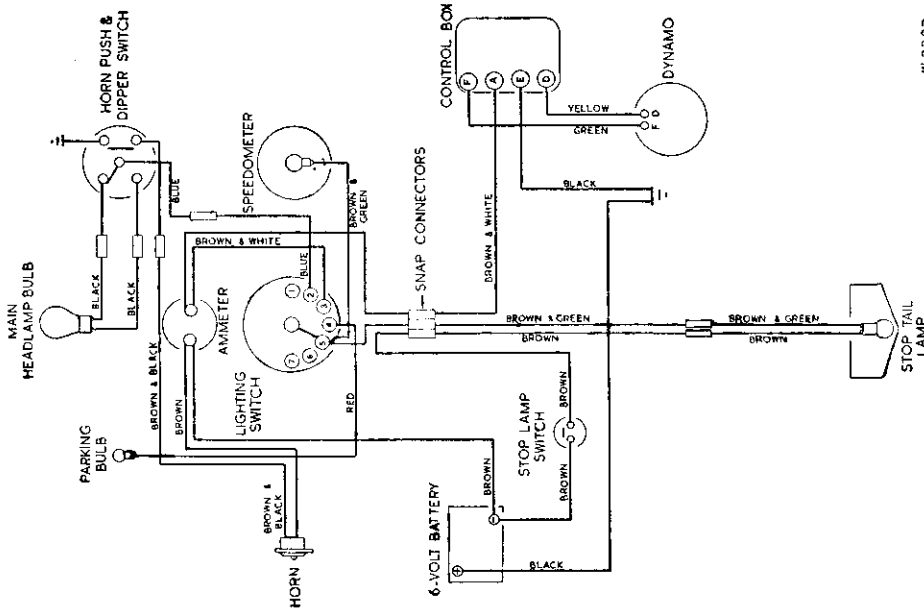
WIRING DIAGRAM (Positive Earth System)



W.2324

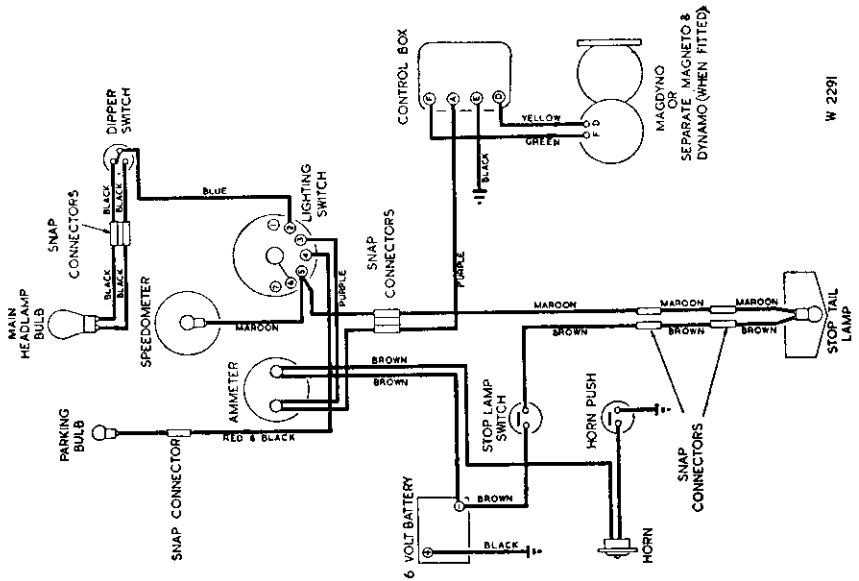
1956/57 Models

A and B Group Models. Wiring Diagrams



W.2323

1956-57 Models (Positive Earth)



W 2291

1955-56 Models (Positive Earth)

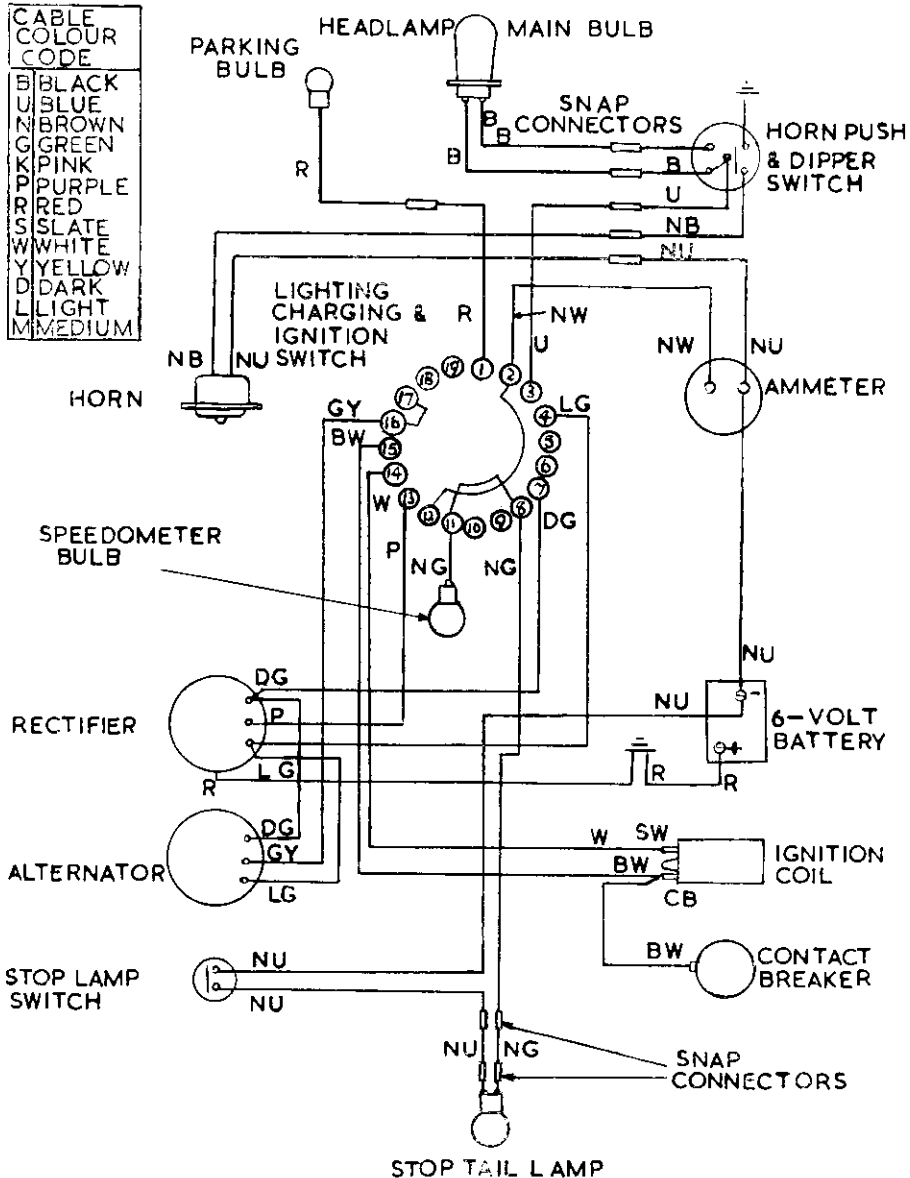
BSA SERVICE SHEET No. 808H

Reprinted November, 1959

B Group Models

(FITTED WITH ALTERNATOR)

WIRING DIAGRAM (Positive Earth System)



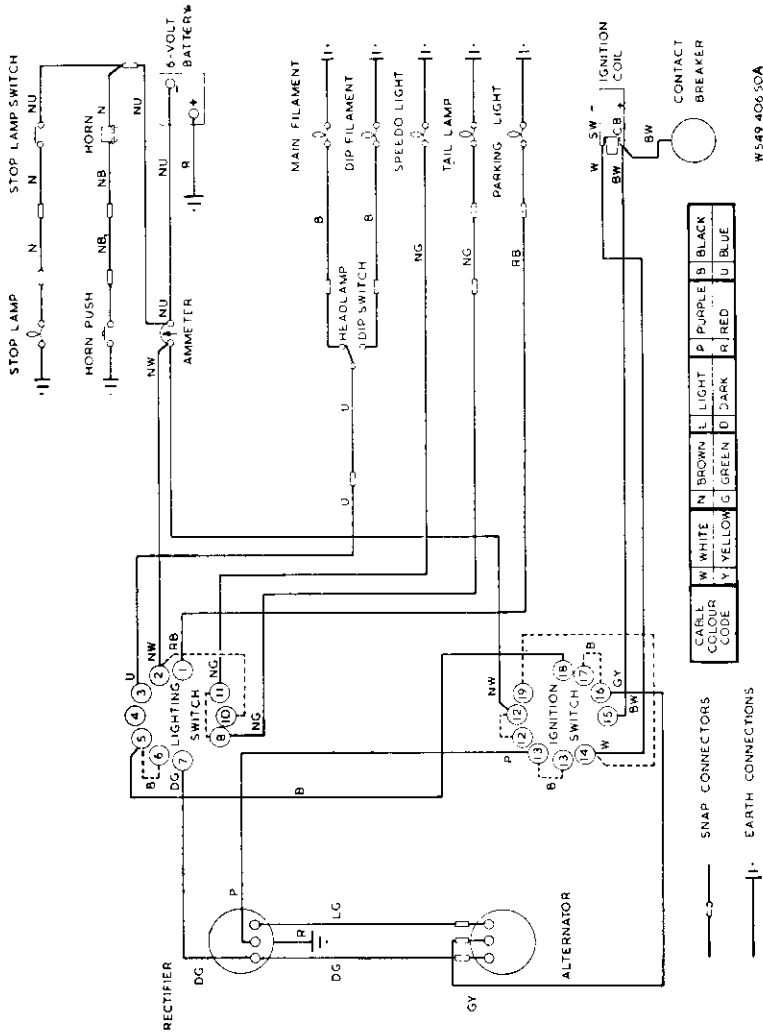
B.S.A. MOTOR CYCLES LTD.
 Service Dept., Waverley Works, Birmingham, 10
 Printed in England

BSA SERVICE SHEET No. 808J

Printed December, 1958

Model C15

WIRING DIAGRAM. (Positive Earth System)



B.S.A. MOTOR CYCLES LTD.
Service Dept., Birmingham, 11,
Printed in England.

BSA SERVICE SHEET No. 808K

Dandy 70

WIRING DIAGRAM

LUCAS ELECTRICAL EQUIPMENT

(Fitted on and after Engine No. DSE14103)

(FLYWHEEL MAGNETO-ALTERNATOR MODEL 8FI)

Printed November 1959

This sheet supersedes previous issue of same number

